



SMPS

12V and 24V Battery Chargers

Main Features:

The SMPS is a constant output voltage, current limited, battery charger specially designed for permanent connection to genset starter batteries.

Open chassis, metal cased design is suitable for bolt and stud mounting in an enclosed panel. DIN mount units available.

- 100 KHz switchmode architecture
- Lead acid or NiCd battery compatible
- Constant voltage output
- Current limited
- 12V and 24V outputs
- Rugged design for industrial environments
- Wide operating voltage range
- Float charging system
- Rectifier fail output
- Charger fail
- Boost charge
- Short circuit protection
- Overload protection
- High temperature protection
- Plug-in connection system



The NEW SMPS-1210

Technical Characteristics

Technology	Switchmode	Max. Input Power	73 watts
Output Voltage	12V,DC nominal (13.7V,DC actual) or 24V,DC nominal (27.4V,DC actual)	Efficiency (at full load)	85%
Output Current	3A,DC; 5A,DC or 10A,DC	Charger Fail Output	Yes
Input Voltage Range	90-135V,AC	Boost Charge	Yes
	170-270V,AC	Boost Charge Voltage	15.0V,DC / 30.0V,DC
Input Frequency Range	45 - 65Hz	High Temp. Protection	Yes
Operating Temp. Range	-20°C / +70°C	Short Circuit Protection	Yes
Storage Temp. Range	-40°C / +80°C	Electrical Connections	2 Part plug-in
Max. Relative Humidity (non-condensing)	95%	Approvals	CE



For more information on this product, please contact:
 PC&S, Inc. at +1 (800) 523-9194 or +1 (973) 448-9400
www.pc-s.com

SMPS Battery Chargers

Part Numbers

12V Units

Part No.	Amps	Input	Dims. (W x H x D)	Weight (lbs.)
SMPS-123-120	3A	120V,AC	3.54" x 4.53" x 2.44"	0.57
SMPS-123-240	3A	240V,AC	3.54" x 4.53" x 2.44"	0.57
SMPS-124-120 (DIN mount)	4A	120V,AC	3.54" x 4.53" x 2.44"	0.57
SMPS-124-240 (DIN mount)	4A	240V,AC	3.54" x 4.53" x 2.44"	0.57
SMPS-125-120	5A	120V,AC	3.54" x 4.53" x 2.44"	0.57
SMPS-125-240	5A	240V,AC	3.54" x 4.53" x 2.44"	0.57
SMPS-1210-120	10A	120V,AC	3.54" x 6.89" x 3.23"	1.32
SMPS-1210-240	10A	240V,AC	3.54" x 6.89" x 3.23"	1.32

24V Units

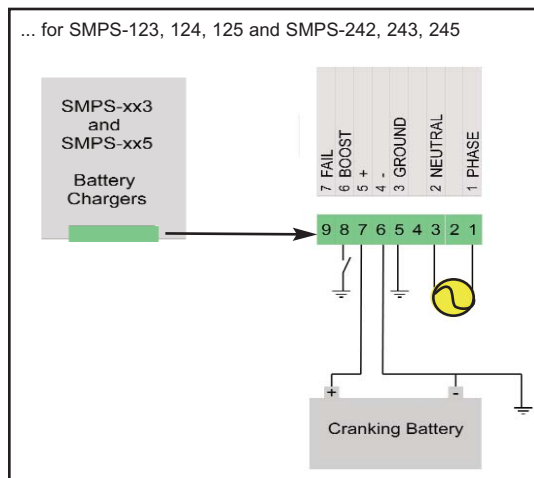
Part No.	Amps	Input	Dims. (W x H x D)	Weight (lbs.)
SMPS-242-120 (DIN mount)	2A	120V,AC	3.54" x 4.53" x 2.44"	0.57
SMPS-242-240 (DIN mount)	2A	240V,AC	3.54" x 4.53" x 2.44"	0.57
SMPS-243-120	3A	120V,AC	3.54" x 4.53" x 2.44"	0.57
SMPS-243-240	3A	240V,AC	3.54" x 4.53" x 2.44"	0.57
SMPS-245-120	5A	120V,AC	3.54" x 4.53" x 2.44"	0.57
SMPS-245-240	5A	240V,AC	3.54" x 4.53" x 2.44"	0.57
SMPS-2410-120	10A	120V,AC	3.54" x 6.89" x 3.23"	1.32
SMPS-2410-240	10A	240V,AC	3.54" x 6.89" x 3.23"	1.32



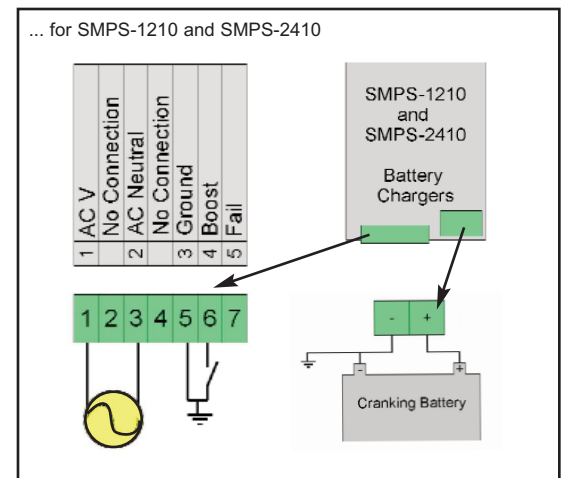
PC&S products are manufactured under a total quality system that provides total engineering integrity. Products have been engineered to satisfy specifications, performance, reliability and life cycle to exacting standards.

PC&S strives to meet customer requirements and exceed expectations. We do this through monitoring and measuring our process and product, customer satisfaction, internal auditing, analysis of production data, continual improvement including corrective and preventative action. Our quality management systems are certified in accordance with ISO 9001:2008 standards.

Typical Connection Diagram ...



Terminals:
 1 & 3 - Line & neutral AC supply - Fused @ 6A
 8 - Close to ground to enter boost-charge mode
 9 - Current sinking output (0.1A,DC) for controller B.C. failure alarming



Terminals:
 1 & 3 - Line & neutral AC supply - Fused @ 6A
 6 - Close to ground to enter boost-charge mode
 7 - Current sinking output (0.1A,DC) for controller B.C. failure alarming



PANEL COMPONENTS & SYSTEMS, INC.
 MAIN OFFICE: Tel.: (973) 448-9400 Fax: (973) 448-1674
 149 Main Street, Stanhope, NJ 07874

Additional Offices:
 South East: Charlotte, NC Phone: (704) 535-3357
 South Central: Tulsa, OK Phone: (862) 258-6974
 Canada: Edmonton, AB Phone: (877) 962-0557

DSSMPS, Rev 1, 2012