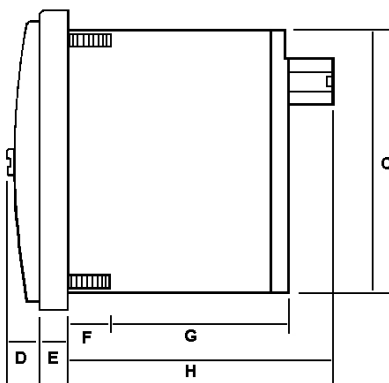
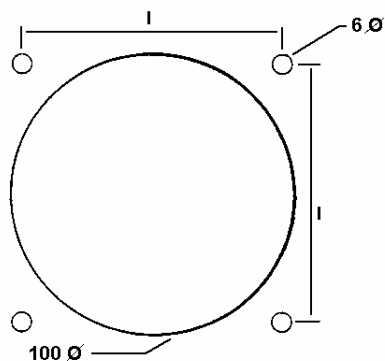


	in.	mm
A	4.331	110
B	3.386	86



	in.	mm
C	3.858	98
D	0.433	11
E	0.787	20
F	0.551	14
G	3.149	80
H	3.700	94



	in.	mm
I	3.386	86